

Name: _____ (please print)

Signature: _____

ECE 2201 – Quiz #3
June 14, 2019

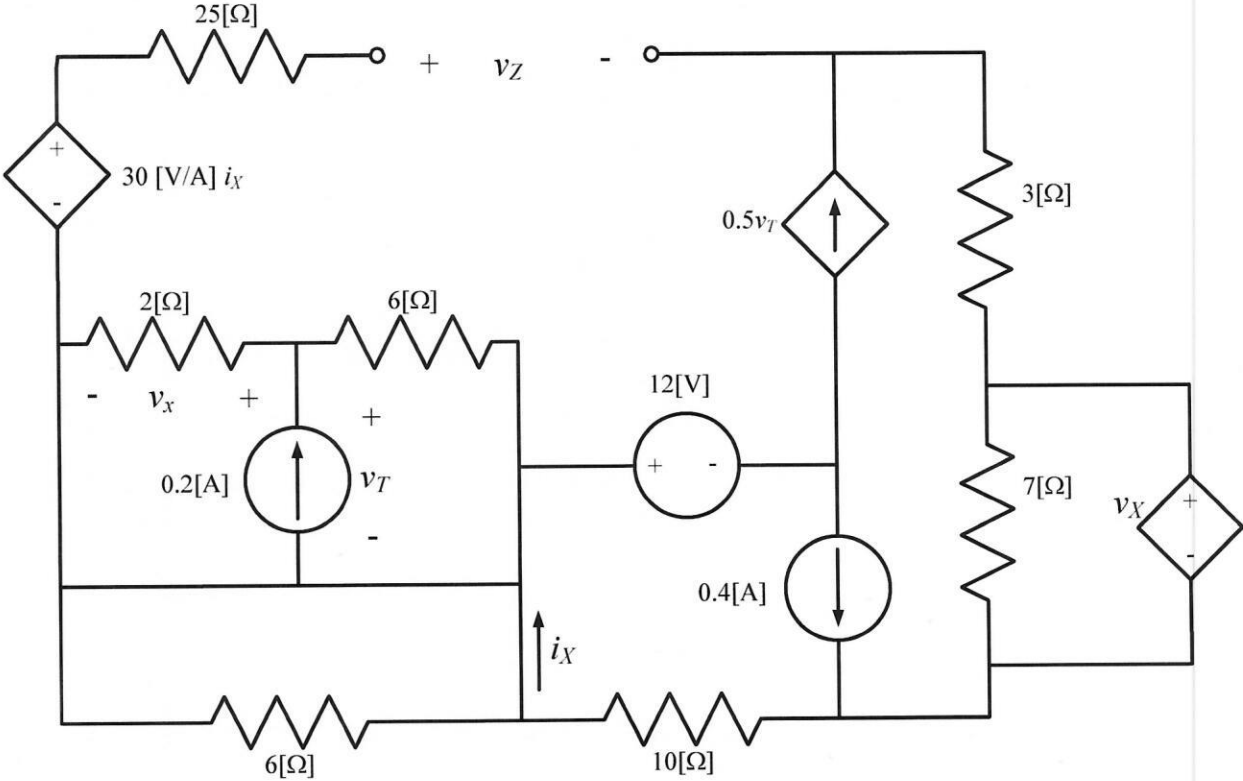
**Keep this quiz closed and face up
until you are told to begin.**

1. This quiz is closed book, closed notes. You may use one 8.5" x 11" crib sheet, or its equivalent.
2. Show all work on these pages. Show all work necessary to complete the problem. A solution without the appropriate work shown will receive no credit. A solution which is not given in a reasonable order will lose credit.
3. Show all units in solutions, intermediate results, and figures. Units in the quiz will be included between square brackets.
4. If the grader has difficulty following your work because it is messy or disorganized, you will lose credit.
5. Do not use red ink. Do not use red pencil.
6. You will have 30 minutes to work on this quiz.

_____ /25

Room for extra work

In the circuit below, find v_Z .



Room for extra work

Room for extra work

$$I_x = 0.4 + 0.5V_T = 0.55 \text{ [V]}$$

$$\therefore V_3 = -0.5(0.3)(3) - 0.3 + 20(0.55)$$

$$\boxed{V_3 = 10.25 \text{ [V]}}$$